

# Programmes After Market Service NPE-4 Series Cellular Phones

## 7 – Disassembly Instructions

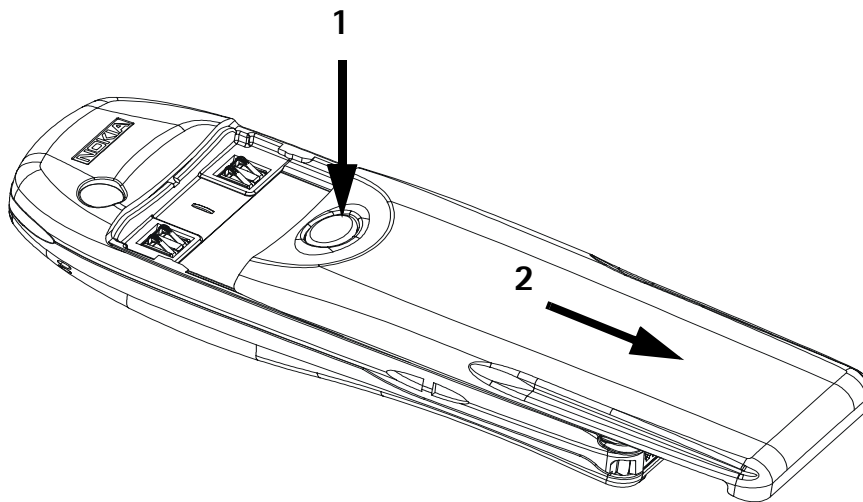
**Table of Contents**

<b>Description</b>	<b>Page No.</b>
Disassembly instructions .....	3
Remove battery .....	3
Remove dustcap .....	3
Remove 4 screws .....	4
Remove B-cover .....	4
Remove antenna .....	5
Remove PWB .....	6
Remove keymat, speaker and buzzer .....	6
Remove the lightguide .....	7
Removing the microphone .....	7

## Disassembly Instructions

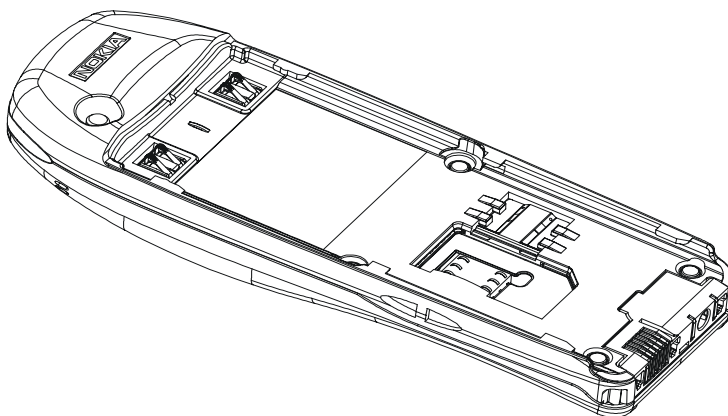
### 1. Remove Battery

- 1 Push button.
- 2 Slide battery towards system connector and remove.



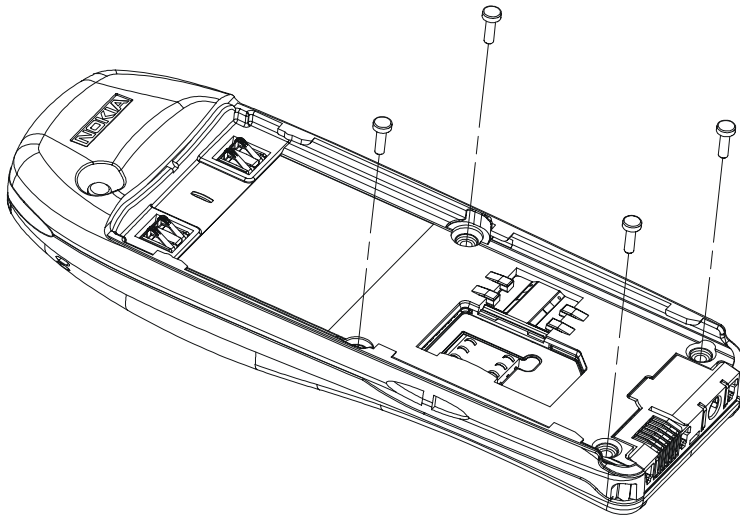
### 2. Remove Dustcap

- 1 Remove dustcap.



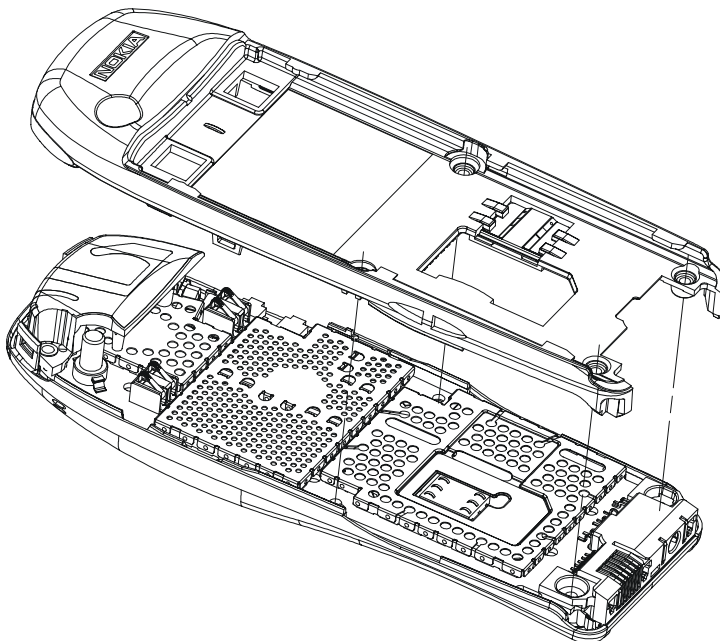
### 3. Remove 4 Screws

- 1 Remove 4 screws(Torx # 6)



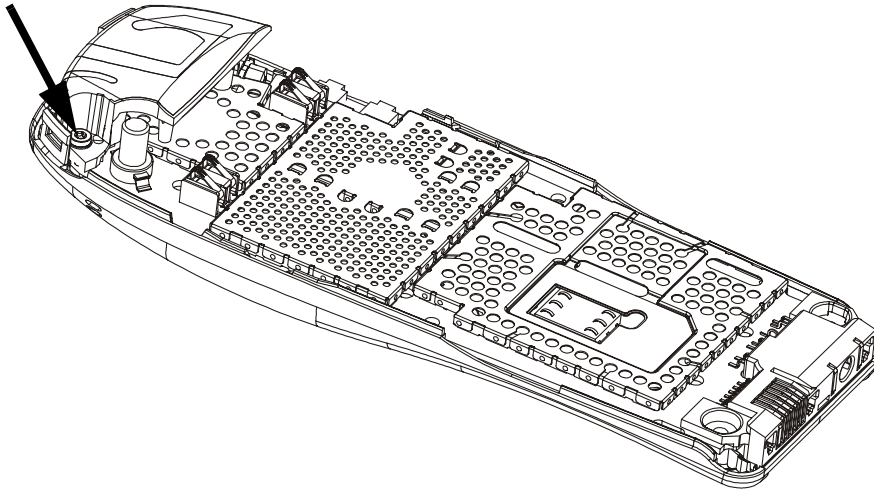
### 4. Remove B-cover

- 1 Lift B-cover at system connector - be aware of the tight snaps each side of the type label.
- 2 Twist the B-cover slightly both ways until it releases.
- 3 Lift B-cover until 3 top snaps disengage.

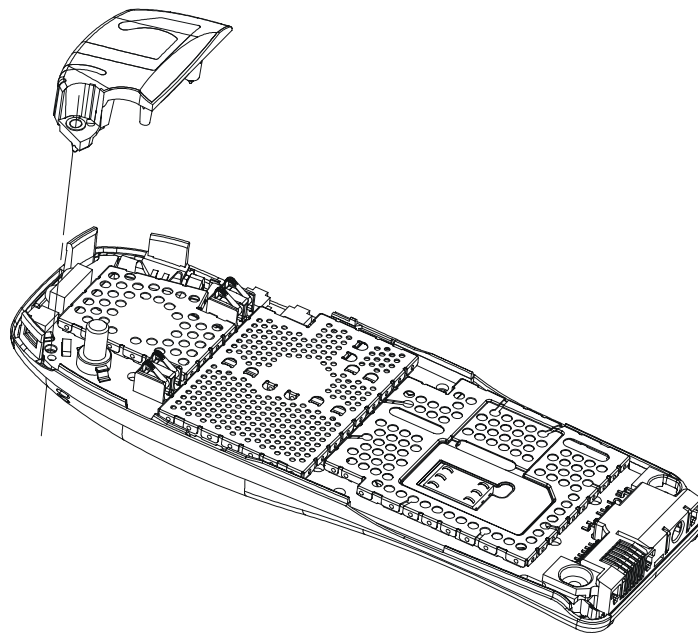


## 5. Remove Antenna

- 1 Remove the antenna screw (Torx # 6).

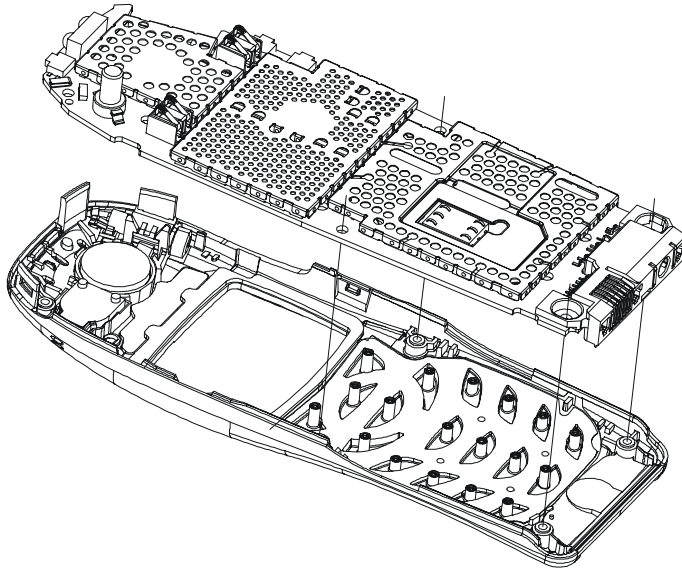


- 2 Lift up antenna from the body.



## 7. Remove PWB

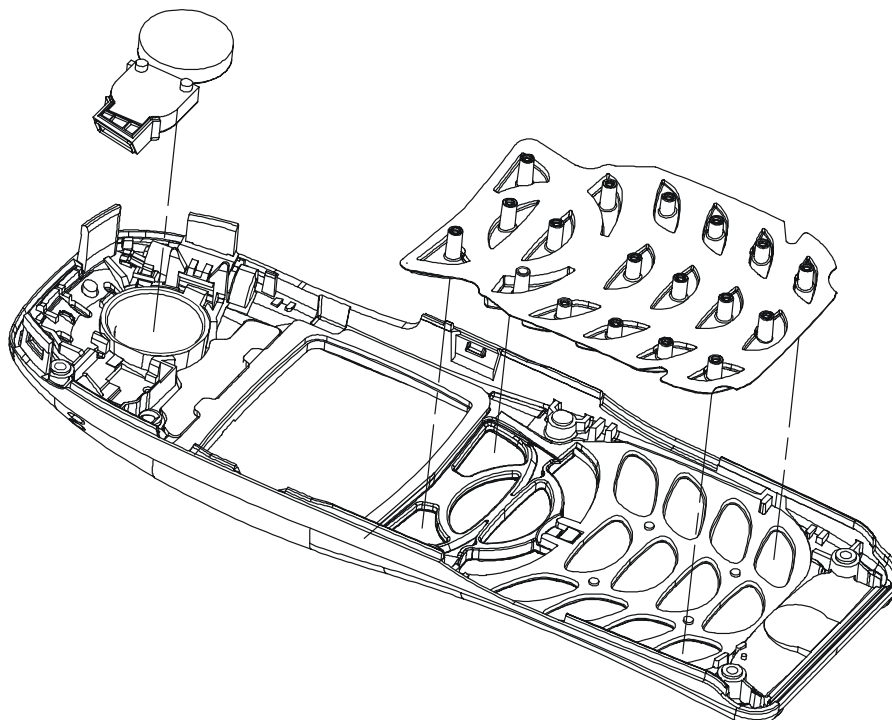
- 1 Carefully lift up the PWB.



## 8. Remove Keymat, Speaker and Buzzer.

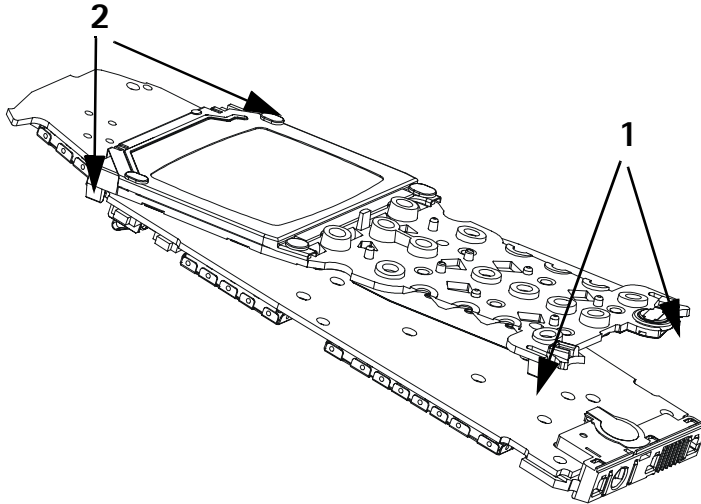
- 1 Carefully lift out the Keymat.
- 2 Remove the Speaker and the Buzzer using a straight bladed screwdriver.

**NOTE: Avoid touching Speaker and Buzzer Springs and Speaker Membrane.**



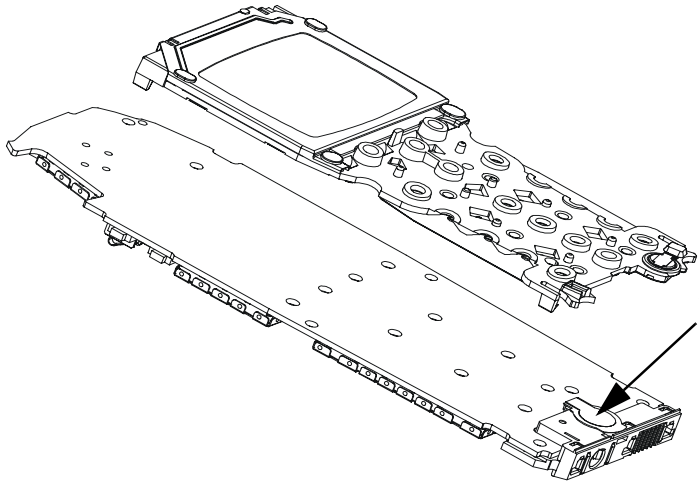
## 9. Remove the Lightguide

- 1 Carefully bend the two plastic bottom snaps out (1).
- 2 Bend out the two top plastic snaps (2).
- 3 Lift out the Lightguide.



## 10. Removing the Microphone

- 1 Remove the Microphone by lifting the tape (1).



### IMPORTANT NOTES

1. Never re-use removed Shield Can Lids - a new lid must be fitted in order to comply with type approval requirements.
2. When reassembling the phone, all 5 Torx screws must be tightened to 17Ncm.
3. Always use new Torx screws.

This page intentionally left blank